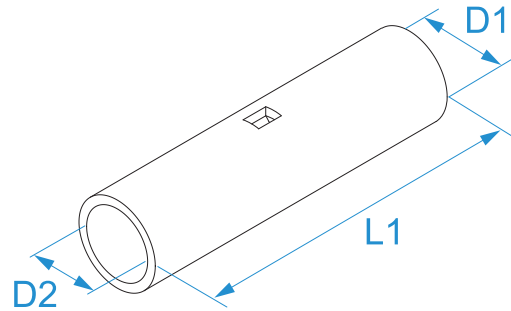


Product family: Terminals - Junction connectors
Item code: 01160, 01260, 01360, 01460, 01560, 01660, 01760, 01860, 01960, 03160, 03260, 03360, 03460, 03560, 03660, 03760, 03860, 03960
Description: BUTT CONNECTORS · UNINSULATED

Image



Technical drawing



Specifications

TERMINAL MATERIAL: tinned copper
OPERATING TEMPERATURE: from -50 °C to +150 °C
TYPE: with central inspection hole and flush for a right insertion of the conductor.

Code	Section (mm ²)	Section (AWG/MCM)	Indent (°)	L1 (mm)	D1 (mm)	D2 (mm)	
01160**	0.25 ÷ 1.5	(22 - 16)	-	15	3,3	1,8	200/1000
01260**	1.5 ÷ 2.5	(16 - 14)	-	15	4,1	2,5	
01360**	4 ÷ 6	(12 - 10)	-	15	5,5	3,7	100/1000
01460**	10	(8)	7	25	7	5	100/500
01560*	16	(6)	7,5	28	8	6	
01660*	25	(4)	9	28	9,5	7	100/300
01760*	35	(2)	11	36	11,5	8,5	
01860*	50	(1/0)	12	36	13	10	
01960	70	(2/0)	14	45	15	12	50/50
03160	95	(3/0)	16	46	17	13,8	
03260*	120	(4/0)	18	50	19	15,5	
03360*	150	(300)	20	60	21	17	
03460*	185	(400)	22	64	25	19	25/25
03560*	240	(500)	25	73	27	21,5	
03660*	300	(600)	28	75	30	24	
03760	400	(800)	35	85	35	27	
03860	500	(1000)	38	97	38	30	10/10
03960	600/630	(1250)	42	104	42	33,6	



* file n° E 137735



** file n° E 137735