

ECOLOGY

IP65 DISTRIBUTION BOXES

Description: IP65 SURFACE BOX 1x4 MOD. (TW). ABS

Reference:
CDN4G

Characteristics:

| | |
|--|--|
| Product type: | ABS watertight distribution boxes (Sealable) |
| Exterior dimensions (Height x Width x Depth): | 177x102x105 mm |
| Dimensions of the flush-fit gap (HxWxD): | - |
| Number of modules: | 1x4 DIN rail |
| Installation: | Surface |
| Color: | RAL 7035 |
| Window: | Transparent |
| Weight (kg): | 0,3378 |
| Cable entry: | Top: 1xM25 |
| Components: | - |
| Materials: | Halogen-free plastic materials. Frame and base: ABS. UV protection under ISO standard 4892-2, Method A: 500h |
| Lid-window-door material: | Tinted PC, UV protection |

Technical data:

| | |
|-----------------------------------|-----------------------|
| Degree of protection: | IP65 |
| Resistance to impact: | IK08 |
| Glow wire resistance: | 650 °C |
| Ball pressure test: | 70 °C |
| Ambient temperature range: | -25 °C / +40 °C |
| Maximum operating voltage: | 1000 V AC / 1500 V DC |
| Rated current: | |
| Double insulation: | Class II |

Certificates and standards:

| | |
|----------------------|------------|
| Directive: | 2014/35/EU |
| Standards: | IEC 62208 |
| Certificates: | |



Codes:

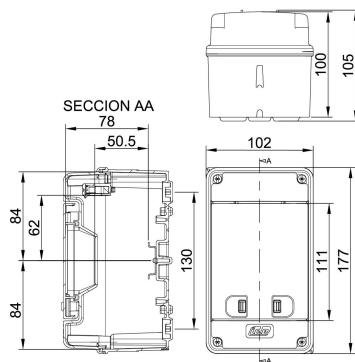
| | |
|-------------------------------|---------------|
| EAN: | 8431044284620 |
| Customs tariff number: | 85.38.10.00 |
| ETIM 8.0: | EC000214 |

ECOLOGY

IP65 DISTRIBUTION BOXES

Description: IP65 SURFACE BOX 1x4 MOD. (TW). ABS

Reference: CDN4G



Detailed drawing:

 <http://www.ide.es/downloads/planos/pdf/CDN4G.pdf>

 <http://www.ide.es/downloads/planos/dxf/CDN4G.dxf>

 <http://www.ide.es/downloads/planos/stp/CDN4G.stp>

Exterior dimensions (Height x Width x Depth):

177x102x105 mm

Dimensions of the flush-fit gap (Height x Width x Depth):

-

Sustainability:

RoHS - REACH

Supply:

Supplied in individual cardboard packaging. When several items are sent together, they are bundled together with transparent film.

Packaging units: 15

Product end of life:

It does not require specific recycling operations.

Recommended applications:

Industrial and outdoor environments. Industrial sites, docks, swimming pools, garages, anywhere that requires a high degree of protection against dust, splashes and impacts.